

# SOLID

15-01-2016

## 1.0 LED

LED 8W | 220-240VAC | 50-60Hz | COB 2-step | incl. PS | phase-cut dim  
 CE IP20 960°C 0,3m 36° 25°/25° 355°

white texture	133164W
black texture + gold	133164K
copper	133164P
black texture	133164B

### LIGHT COLOUR

2200K   >80CRI   365lm	1
2700K   >80CRI   480lm	2
3000K   >80CRI   480lm	4

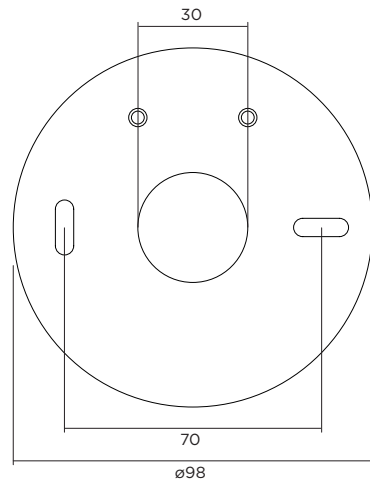
## 1.0 PAR16

PAR16 max. 35W | GU10 | 220-240VAC | 50-60Hz  
 CE IP20 960°C 0,9m 36° 25°/25° 355°

white texture	133120W0
black texture + gold	133120K0
copper	133120P0
black texture	133120B0

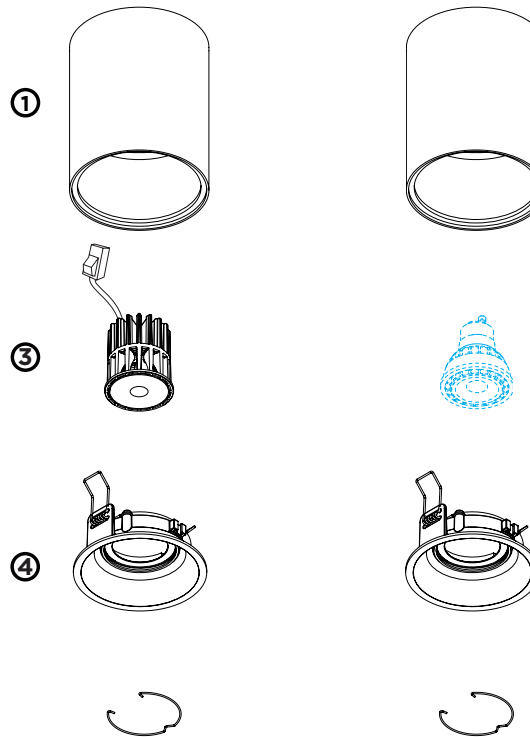
OPTIONAL  
 for PAR16 lamps see our catalogue

base plate dimensions

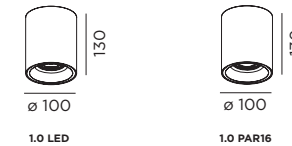


1.0 LED

1.0 PAR16



## DIMENSIONS

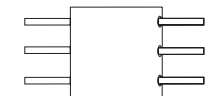


### 1 MOUNTING INSTRUCTION

Attach the SOLID base fixture to the ceiling with screws

### 2 POWER CONNECTION

Connect to power  
 Interior connection : standard version



### 3 Insert the light module (PAR16/LED ENGINE) into the module and fix with spring.

### 4 Click the module into the SOLID base fixture with the springs.



WEVER & DUCRÉ  
 LIGHTING

www.weverducre.com

INSTALLATION  
 INSTRUCTIONS