

Assembly & Care Guide

Lantern Globe Ceiling Lamp

The Lantern Globe Ceiling Lamp is carefully made and therefore every item is unique. It may occur different expression in the material and surface, with smaller marks and minor deviations.

SAFETY INSTRUCTIONS

Please read the instructions carefully and retain it for future reference. **New Works Aps** is not responsible for any faults or damages caused by not following the instructions correctly.

Turn off electricity at main circuit breaker panel before beginning the installation. Installation is to be carried out only by a qualified electrician. Warning all wires are connected - when unpacking the box, be careful not to pull wires, as this may result in a bad connection.

This lamp must be permanently wired into the electric system. Different ceiling materials require different types of fittings. Always choose screws and plugs that are specially suited for the ceiling material.

The lamp is only intended for indoor use, consult a professionally qualified electrician if any doubt. Follow the guidance **220-240V~ 50/60Hz - E14 LED Max 7W / E27 LED Max 11W**, (Bulb not included) The light bulb and lamp exterior may get hot after prolonged use.

Turn off electricity at main circuit breaker panel before replacing the bulb. Make sure the bulb has sufficient time to cool down. Do not subject the lamp to any shock as this may cause the lamp to brake.

Keep the product out of children's reach. Dispose the packaging and do not allow children to play with it. Do not modify the product in any way.

CLEANING

Turn off the electricity before cleaning the lamp. Wipe the lamp exterior with a soft dry or moist cloth. Do not use any abrasive cleaning tools, and never use strong cleaning agents such as household glass cleaner, white spirit, or turpentine.

MORE INFORMATION

For more information such as product overview, material description and disclaimers - please visit our website at **www.newworks.dk** for further information. If you have any questions or comments, please do not hesitate to contact us at **info@newworks.dk**.

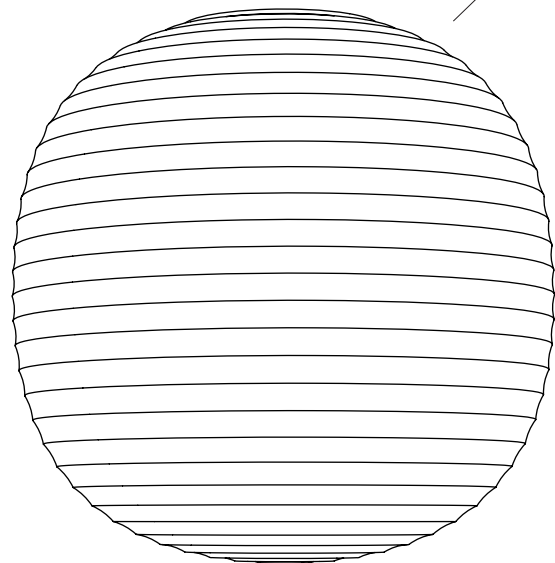
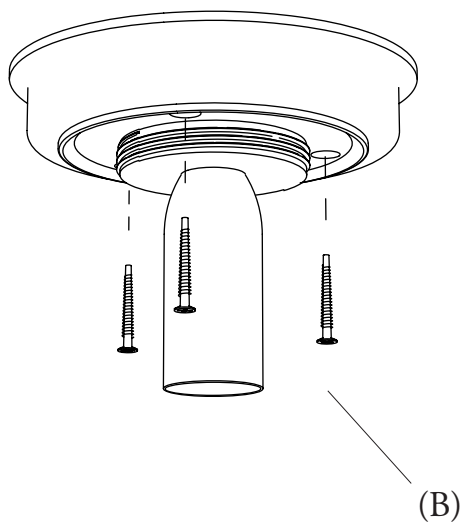
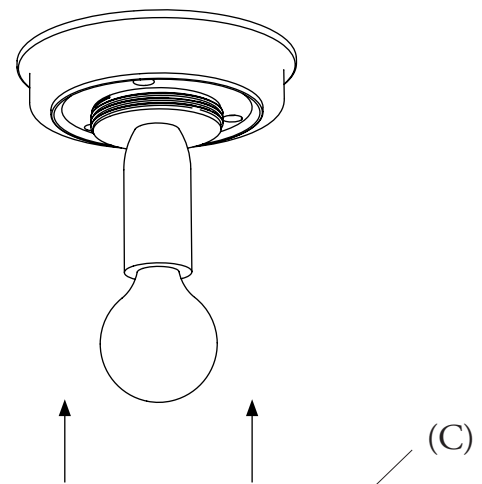
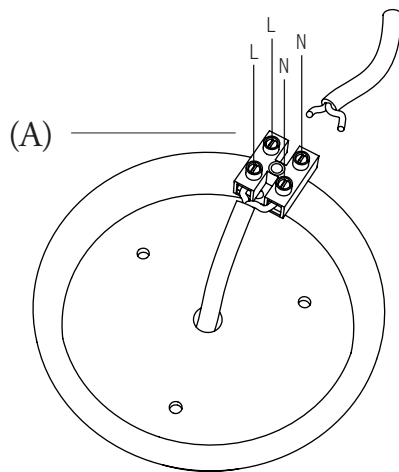
NEW WORKS.

Assembly & Care Guide

Lantern Globe Ceiling Lamp

ASSEMBLY INSTRUCTIONS

1. Connect the wires from the lamp base to the cable joint (A) together with the power outlet in the ceiling.
2. Mount the base (B) in the ceiling, always choose screws and plugs that are specially suited to the ceiling material
3. Install the light bulb (Not included)
4. Mount the glass shade (C)



NEW WORKS.